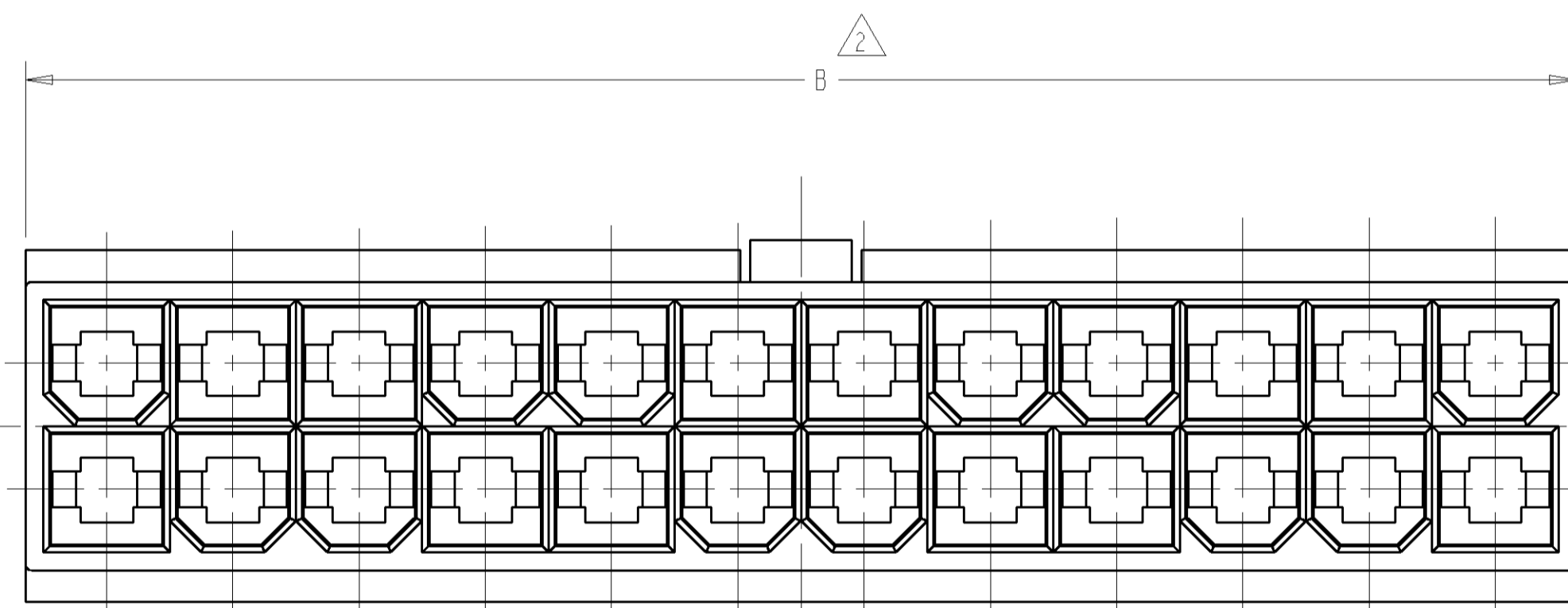
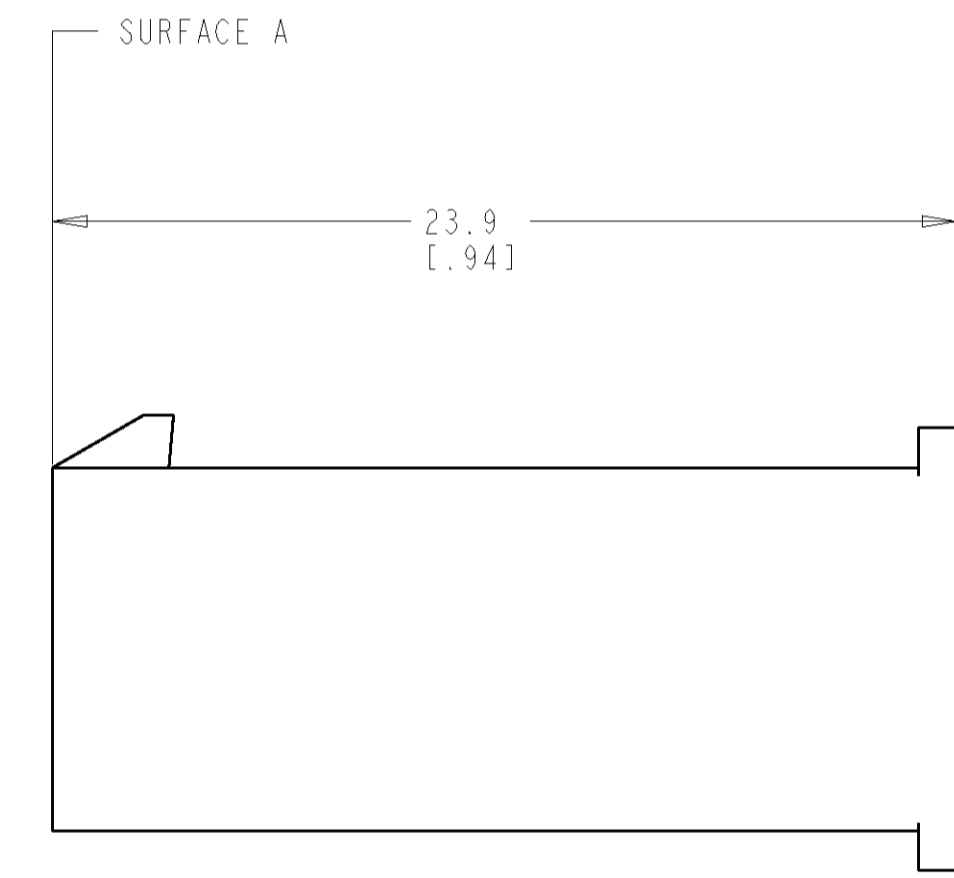


PA66

- 1. NYLON, UL94V-2, NATURAL.
- 2. DIMENSION TO BE CHECKED AT SURFACE A.
- 3. DIMENSIONS IN BRACKETS ARE IN INCHES.
- 4. MALE CONTACTS MUST BE INSERTED SO THAT THE TOP OF THE WIRE AND INSULATION CRIMPS ARE FACING THE SIDE OF THE HOUSING WITH THE LOCKING LATCH.

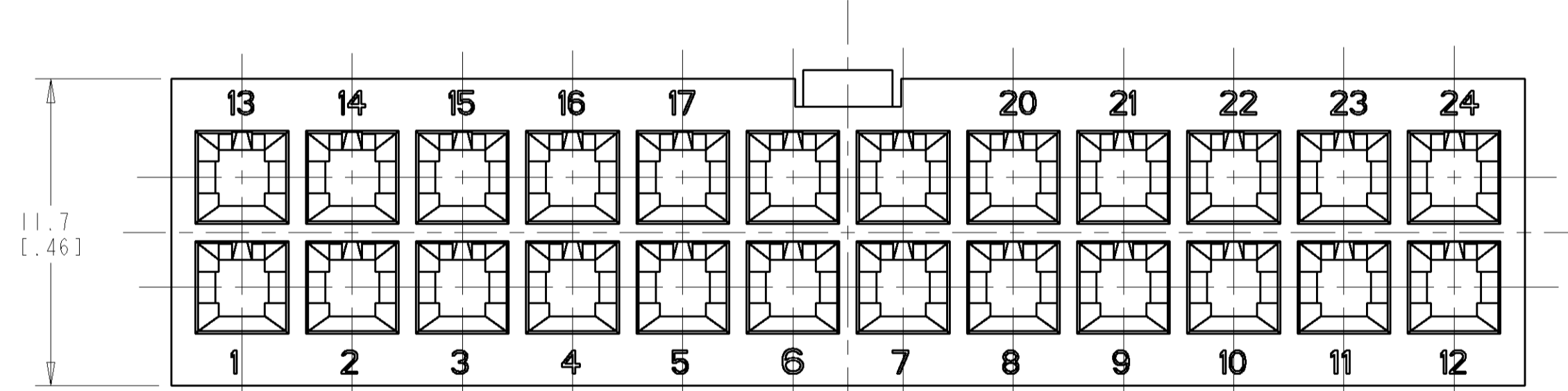


9.6
[.38]

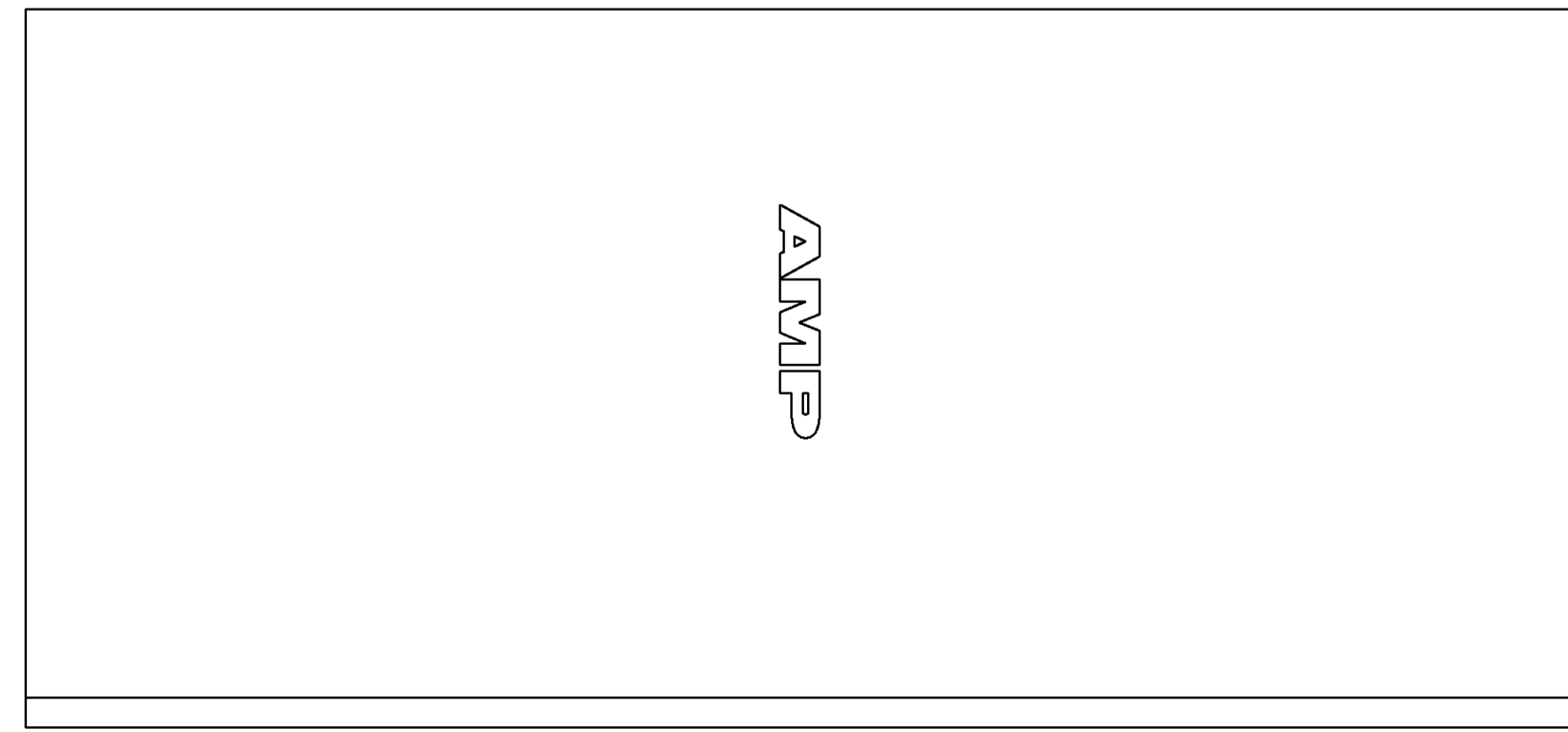


SURFACE A

23.9
[.94]



11.7
[.46]



AMP

51.6[2.032]	24	2-794542-4
47.4[1.866]	22	2-794542-2
43.2[1.701]	20	2-794542-0
39[1.535]	18	1-794542-8
34.8[1.370]	16	1-794542-6
30.6[1.205]	14	1-794542-4
26.4[1.039]	12	1-794542-2
22.2[.874]	10	1-794542-0
18[.709]	8	794542-8
13.8[.543]	6	794542-6
9.6[.378]	4	794542-4
5.4[.213]	2	794542-2
B	NO. OF POSITIONS	PART NUMBER

METRIC

DIMENSIONS: mm [INCHES] TOLERANCES UNLESS OTHERWISE SPECIFIED: 0 PLC ± 1 PLC ±0.21 (01) 2 PLC ± 3 PLC ± 4 PLC ± ANGLES 40° 30'		DWN R. VESTAL 16MAR99 CHK R. SWING 16MAR99 APVD C. CASH 16MAR99	NAME: PLUG, FREE HANGING, 2 TO 24 POSITION, AMP-DUACT™ POWER CONNECTOR PRODUCT SPEC: - APPLICATION SPEC: - SIZE: A CASE CODE: 00779 DRAWING NO: C=794542 WEIGHT: - FINISH: - CUSTOMER DRAWING	DWN R. VESTAL 16MAR99 CHK R. SWING 16MAR99 APVD C. CASH 16MAR99 PRODUCT SPEC: - APPLICATION SPEC: - SIZE: A CASE CODE: 00779 DRAWING NO: C=794542 WEIGHT: - FINISH: - CUSTOMER DRAWING	RESTRICTED TO: - SCALE: 4:1 SHEET: 1 OF 1 REV: P
-------------------------------------------------------------------------------------------------------------------------------------------------------	--	-----------------------------------------------------------------------	-----------------------------------------------------------------------------------------------------------------------------------------------------------------------------------------------------------------------	----------------------------------------------------------------------------------------------------------------------------------------------------------------------------------------------------------------------	-----------------------------------------------------------

TE Connectivity